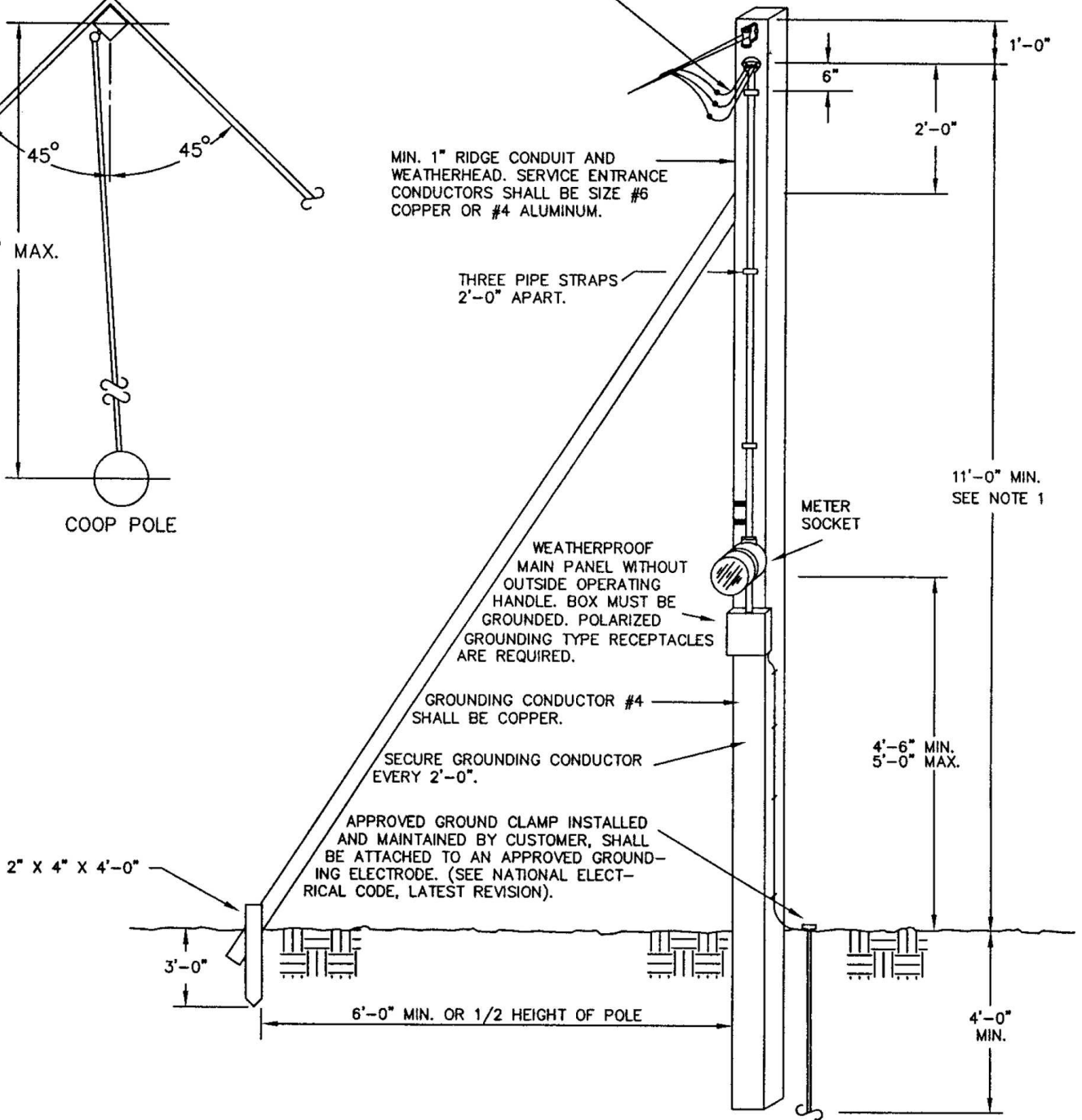
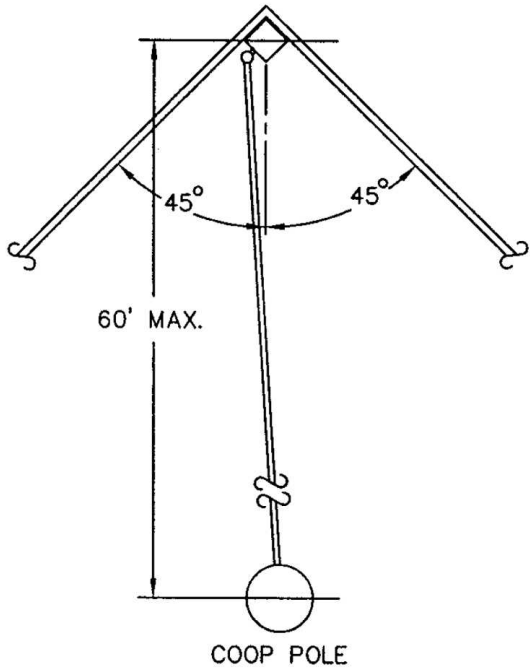


CUSTOMER OWNED POLE SUPPORT  
 COOP WILL SPECIFY LOCATION  
 NOT TO EXCEED 100FT.

SERVICE ENTRANCE CONDUCTOR SHALL EXTEND  
 A MIN. OF 2'-0" OUT OF WEATHERHEAD.  
 NEUTRAL SHALL BE CLEARLY MARKED.



NOTES:

1. HEIGHT TO BE INCREASED IF REQUIRED FOR CLEARANCES OVER DRIVEWAYS, ETC.
2. SUPPORT MUST BE ABLE TO WITHSTAND 200 LB. PULL AT THE TOP.
3. SUPPORT SHALL BE 4" X 4" X 16' MINIMUM WOOD, BRACED AS SHOWN. BRACES SHALL BE 2" X 4" X 14' WOOD. PRESSURE TREATED WOOD IS REQUIRED.
4. GROUND WIRE TO TERMINATE IN PANEL WHEN USING ROUND SOCKET.
5. ALL 120, SINGLE PHASE OUTLETS SHALL BE PROTECTED BY GROUND FAULT CIRCUIT INTERRUPTERS. (GFCI)

SINGLE PHASE METERED CONSTRUCTION POLE FROM OVERHEAD SOURCE—70 AMPERE MAXIMUM